



Open-circuit piston pumps

Variable displacement piston pumps are used in a vast array of applications with open circuits, thanks to their reliability and distinctive features. Their performance and overall dimensions have been optimised. A wide range of pressure, flow rate, and power controls and the electronic servo controller, allows them to be used both in the mobile machinery and industrial sectors.

MAIN FEATURES

- State-of-the-art controls that considerably reduce response time from no flow to maximum flow and vice-versa; constant pressure within the entire speed range
- Specially designed distribution plate for noise reduction
- Forced oscillation block lubrication system, which ensures high performance even in harsh operating conditions
- High operating speed and pressure
- Optional through-shaft for tandem connection
- Side or rear inlets
- Materials and technical solutions that allow low viscosity fluids to be used



Danfoss

Danfoss Power Solutions
APPOINTED SALES AND SERVICE PARTNER

OILGEAR

THE RANGE – DISPLACEMENT IN cm³/REV

0 | 80 | 160 | 240 | 320 | 400 | 480 | 560 | 640

Open circuit

Special fluids



Warehouse



Design



Support



Service



Consulting

Turnkey solutions

SACE s.r.l. provides complete hydraulic and electronic systems. One single supplier for all your requirements.



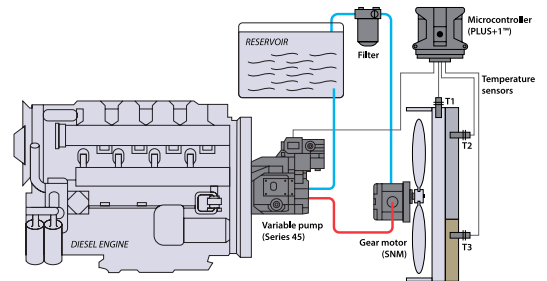
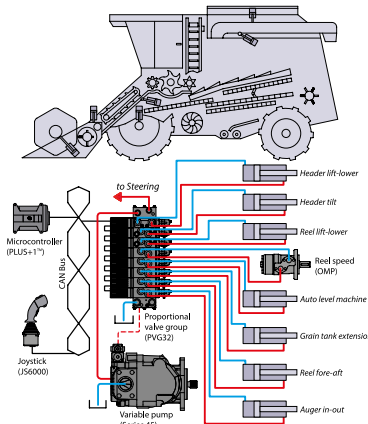
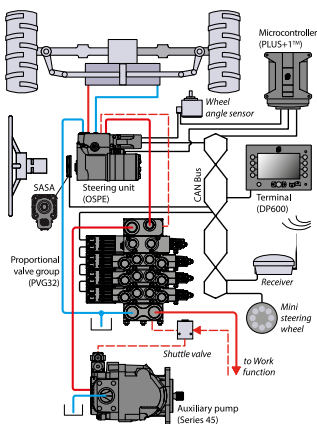
Member of FLODRAULIC GROUP

SACE

Applications



- Electronic limitation of the absorbed torque
- Plus+1 compliant
- Prevention of diesel engine stall
- Increased productivity and reduced fuel consumption



www.sace-srl.com

SACE S.r.l. a Socio Unico

Via Cartiera, 154 - 40037 - Borgonuovo di Sasso Marconi (BO) - Italy

Tel: +39 051 6781120 - Fax: +39 051 6781150

info@sace-srl.com



Danfoss Power Solutions
APPOINTED SALES AND SERVICE PARTNER